

FLEXFLO® A1A

Specially designed for pools, spas, and water parks

Feed rates from .01 to 100 GPD

Pressures to 40 PSI

Tube Failure Detection (TFD) system

Variable speed brushless DC motor

3-year warranty



Certified to
NSF/ANSI Standard 50

Exclusive:

NEMA 4X



Features

- ▶ Peristaltic pump design does not have valves that can clog requiring maintenance.
- ▶ Self priming - even against maximum line pressure. Bypass valves are not required. Cannot vapor lock or lose prime.
- ▶ Output rates from .01 to 100 GPD (.01 to 15.8 LPH) and pressures up to 40 PSI (2.76 Bar).
- ▶ Variable speed brushless DC motor.
- ▶ Patented Tube Failure Detection (TFD) system. Senses tube failure by detecting chemical in the pump head, shuts off the pump and activates a 48VDC @ 80mA relay. No false triggering.
- ▶ Remote Start/Stop: Non-powered dry contact closure for remote start/stop.
- ▶ Three Nylon molded squeeze rollers for optimum squeeze, unparalleled accuracy, and long tube life.
- ▶ Heavy duty rotor - single piece plastic rotor means no flexing and increased accuracy with no metal springs or hinges to corrode.
- ▶ Chemically resistant tubing capable of pumping bleach (sodium hypochlorite), calcium hypochlorite 20%, and muriatic acid (hydrochloric acid).

Engineering Specifications

Maximum Working Pressure (Excluding pump tubes) ¹	40 PSI (2.76 bar)
Maximum Suction Lift	30 ft. of water at sea level (14.7 atm psi)
Ambient Operating Temperature	14°F to 125°F (-10°C to 52°C)
Ambient Storage Temperature	-40°F to 158°F (-40°C to 70°C)
Operating Voltage	115V60Hz 1 PH (0.6A max.) 220V50Hz 1 PH (0.3A max.) 230V60Hz 1 PH (0.3A max.) 230V50Hz 1 PH (0.3A max.) 240V50Hz 1 PH (0.3A max.)
Power Cord Options	115V50/60Hz = NEMA 5/15 (USA) 230V50/60Hz = NEMA 6/15 (USA) 220V50/60Hz = CEE 7/II (EU) 240V50/60Hz = AS 3112 (Australia/New Zealand)
Motor	Brushless DC, 50W.
Duty Cycle	Continuous
Flow Range Adjustment	0.01 - 100 GPD (0.01 - 15.8 LPH)
Enclosure	NEMA 4X (IP66), Valox [®] (PBT) & PA12
Maximum Overall Dimensions	7.25" W x 9" H x 10" D (18.5 W x 22.9 H x 25.2 D cm)
Product Weight	6 lb. (2.7 Kg)
Approximate Shipping Weight	13 lb. (5.9 Kg)
Approximate Shipping Dimensions	10.5" W x 13.75" H x 11" D (26.7 W x 35 H x 28 D cm)

Materials of Construction

Wetted Components

Pump Tube Assembly	
Tubing	Flex-A-Prene [®]
Adapter Fittings	PVDF
Injection / Back-Flow Check Valve	
Body & Insert	Polypropylene (optional PVDF)
Check Ball	Ceramic
Spring	Hastelloy C-276
Ball Seat O-Ring	TFE/P
Static Seal O-Ring	FKM
Ancillary Items Provided	
Suction Tubing	3/8" OD x 1/4" ID x 10' Clear PVC
Discharge Tubing	3/8" OD x 1/4" ID x 10' Polyethylene (LLDPE)
Suction Strainer	Polypropylene
Weight	Ceramic

Non-Wetted Components

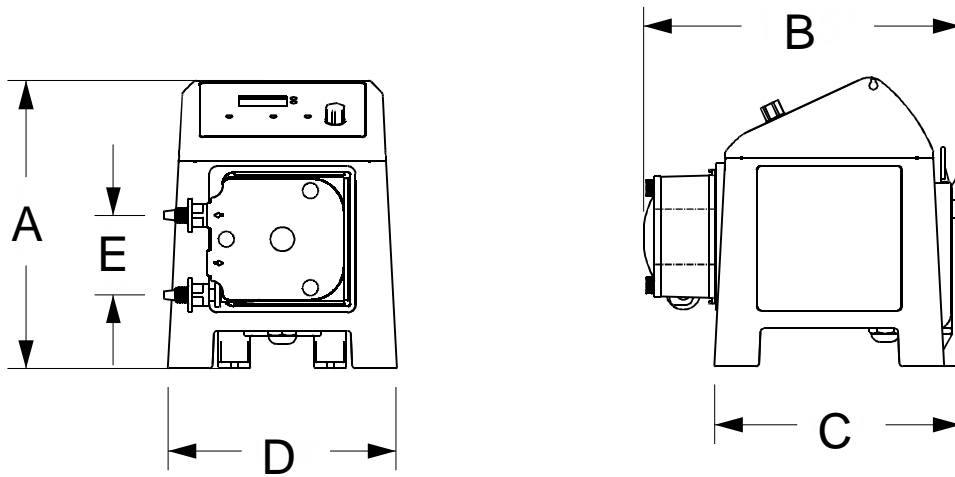
Enclosure	Valox [®] (PBT) & PA12 thermoplastic
Pump Head	Valox [®] (PBT) thermoplastic
Pump Head Cover	Polycarbonate for added strength and chemical resistance. Permanently lubricated sealed motor shaft support ball bearing.
Cover Screws	Stainless steel, polypropylene cap
Roller Assembly	
Rotor	Valox [®] (PBT)
Rollers	Nylon
Roller Bearings	Bronze
TFD System Sensor Pins	Hastelloy C-276
Power Cord	3 conductor, SJTW-A water-resistant
Tube Installation Tool	GF nylon
Mounting Brackets and Hardware	316 stainless steel screws GF nylon bracket

Output Specifications

Flex-A-Prene[®] A1A Tube Pumps ¹

Feed Rate		Maximum Pressure PSI (bar)	Maximum Temperature °F (°C)	A1A Model Numbers		
GPD	LPH			115V AC	230V AC	220V AC
0.01-100	0.01-15.8	40 (2.76)	185 (85)	A1A4-7T	A1A5-7T	A1A6-7T

Dimensions



A1A Series

Dimension	Inches (in.)	Centimeters (cm)
A	9"	22.9
B	10"	25.2
C	7.75"	19.6
D	7.25"	18.5
E	2.5"	6.4

Model Number Matrix

FlexFlo [®] Model Number			
A1A	FlexFlo [®] Peristaltic Metering Pump		
Power Cord (Operating voltage requirement 96VAC to 264VAC)			
4	115V 50/60Hz, power cord NEMA 5/15 plug (US)		
5	230V 50/60Hz, power cord NEMA 6/15 plug (US)		
6	220V 50/60Hz, power cord CEE 7/11 plug (EU)		
8	240V 50/60Hz, power cord AS 3112 plug (Australia/New Zealand)		
9	230V 50/60Hz, power cord BS 1363/A plug (United Kingdom)		
Pump Tube Material, Pump Tube Size, Operating flow range			
7T	Flex-A-Prene [®] .250 ID, .01 GPD to 100 GPD		
A1A	4	-	7T
Sample Model Number			

Accessories

